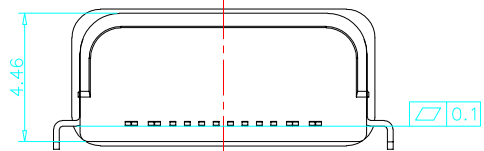
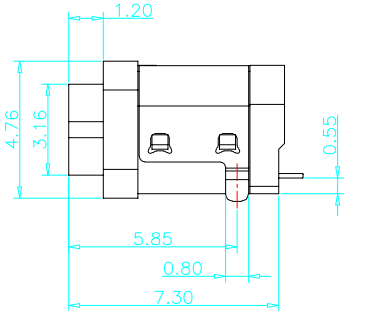
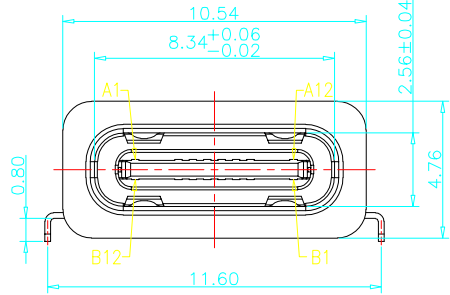


REV.	ECN	DESCRIPTION	MDF'D	DATE
A0		新订图面	Lee	2022. 07. 26

- NOTES:**
- CURRENT RATING: 3.0 A
 - VOLTAGE RATING: 3.0 V
 - VBUS & GND PINS AND OTHER PINS: 40mΩ/PIN MAX
SHIELD: 50mΩ/MAX
LLCR MAX. CHANGE OF ALL PINS: 10Ωm
 - INSULATION RESISTANCE: 100MΩ MIN
 - DIELECTRIC WITHSTAND VOLTAGE, AC 100V FOR 1MINUTE
 - INSERTION FORCE: 0.5~2.0kgf
 - UNMATING FORCE: 0.8-2.0kgf
 - DURABILITY: 10000 CYCLES
 - OPERATING TEMPERATURE: -35°C~+85°C
 - THE PEAK TEMPERATURE ON THE BOARD SHALL BE MAINTAINED FOR 10 SECONDS AT 210-250°C
 - WATERPROOF: IP-X7.



USB TYPE C PIN ASSIGNMENTS

PIN NUMBER	SIGNAL NAME	PIN NUMBER	SIGNAL NAME
A1	GND	B12	GND
A4	VBUS	B9	VBUS
A5	CC1	B8	SBU2
A6	DP1	B7	DN2
A7	DN1	B6	DP2
A8	SBU1	B5	CC2
A9	VBUS	B4	VBUS
A12	GND	B1	GND

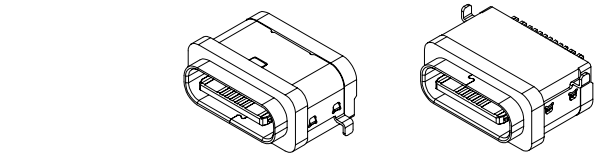
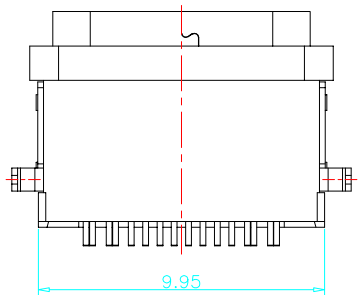
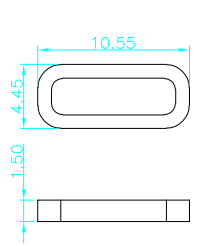


TABLE:

NO	PART	QTY	Material
1	PLASTIC SHELL	1	PA&LCP UL94 V-0 BLACK
2	SHELL	1	STAINLESS STEEL, NI PLATED
3	CONTACT	16	COPPER ALLOY, TIN/AU/NI PLATED
4	MD PLATE	1	STAINLESS STEEL, NO PLATING
5	MD HOUSING	1	PA&LCP UL94 V-0 BLACK
6	SHIELDING PLATE	1	STAINLESS STEEL, NI PLATED
7	WATERPROOF RING	1	SILICONE UL94 V-0 RED



防水圈图示

东莞市溪榜电子有限公司 DONG GUAN XI BANG ELECTRONICS CO., LTD.		页码 (SHEET)	1/1	单位 (UNIT): MM
		版本 (REV)	A0	比例 (SCALE) 1:1
品名 (ITEM NO)	XB-TYPE C 16P 沉板防水母座 (2脚B款)	日期 (DATE)	2022. 07. 26	未注公差 TOLERANCE UNSPECIFIED
料号 (PART NO)		设计 (DESIGN)	Lee	X.X ±0.20
图号 (DWG NO)		审核 (CHECKED)	LSW	X.XXX ±0.15
		核准 (APPROVED)	CJL	X° ±5°
				X.X° ±2°